

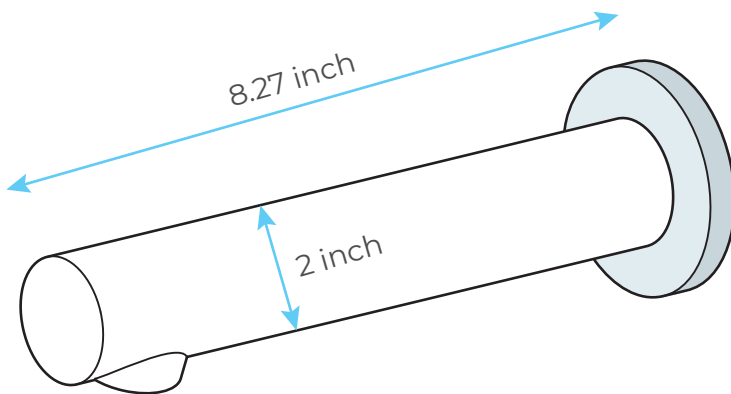
COMMERCIAL AUTOMATIC WALL MOUNT SENSOR BATHROOM FAUCET SPECIFICATIONS

Technical Information



Intelligent sensor tap
Detection range: 10 ~ 15 cm
Induction time: 0.3 seconds.
Power supply: 4 AAA batteries
Static power consumption: 0.003W
Operating Temperature: 1-50°C
Machine size: 210 x 50 mm.
Water supply calibre: G1/2 inch.
Applicable water pressure: 0.05- ^ 0.75 Mpa

Size



Overview

